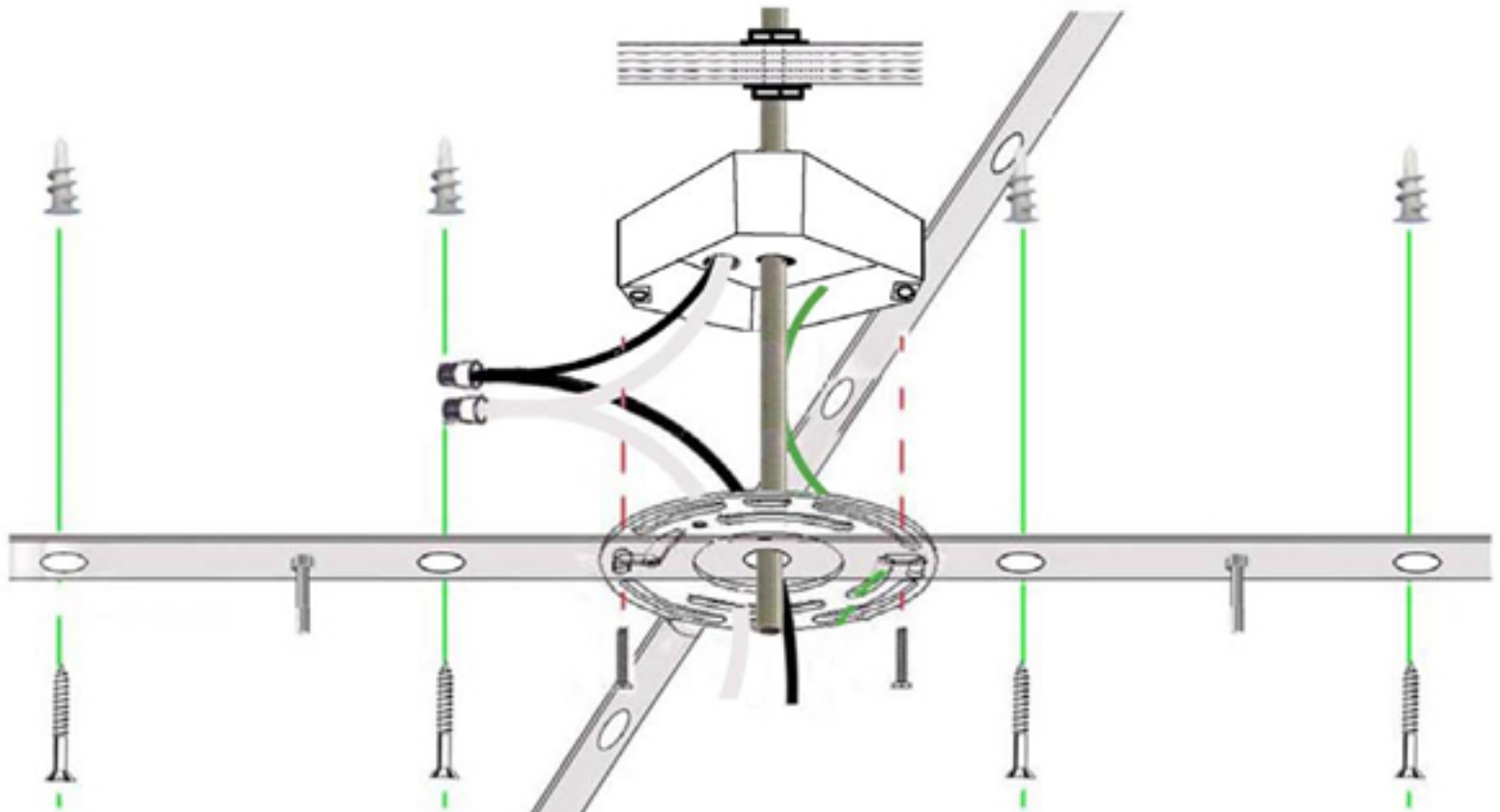


StarFire

CRYSTAL

INSTALLATION PROCEDURE for LUMINAIRES OVER 50 lbs.

This product **MUST** be installed in accordance with the local installation codes by a person familiar with construction and operation of this product and the hazards involved.



Black wire from ceiling (electrical box) attaches to wire from the fixture that has **NO RIDGE**.

White wire from the ceiling (electrical box) attaches to wire from the fixture which has the **RIBBED SIDE** or white identifying tape.

IMPORTANT: Test sockets with bulb before “dressing” the fixture.

Hanging Instructions

1. Drill a 9/16" hole in the ceiling member to allow a 1/2" threaded rod to pass through
2. Attach the electrical box to the ceiling member and pass the 1/2" threaded rod through the box
3. Place the universal crossbar over the electrical box
4. Mark the locations for the ceiling plugs. Insert the plugs (Included with screws)
5. Secure the fixture to the electrical box and the support
6. Pull ceiling wires down through the fixture box and make connection.

StarFire Crystal

231 Millway Ave Unit 6 Concord ON Canada L4K 3W7

Toll Free 1-855-224-6081 Phone 905-660-9336 Fax 905-660-9228

info@starfirecrystal.com starfirecrystal.com